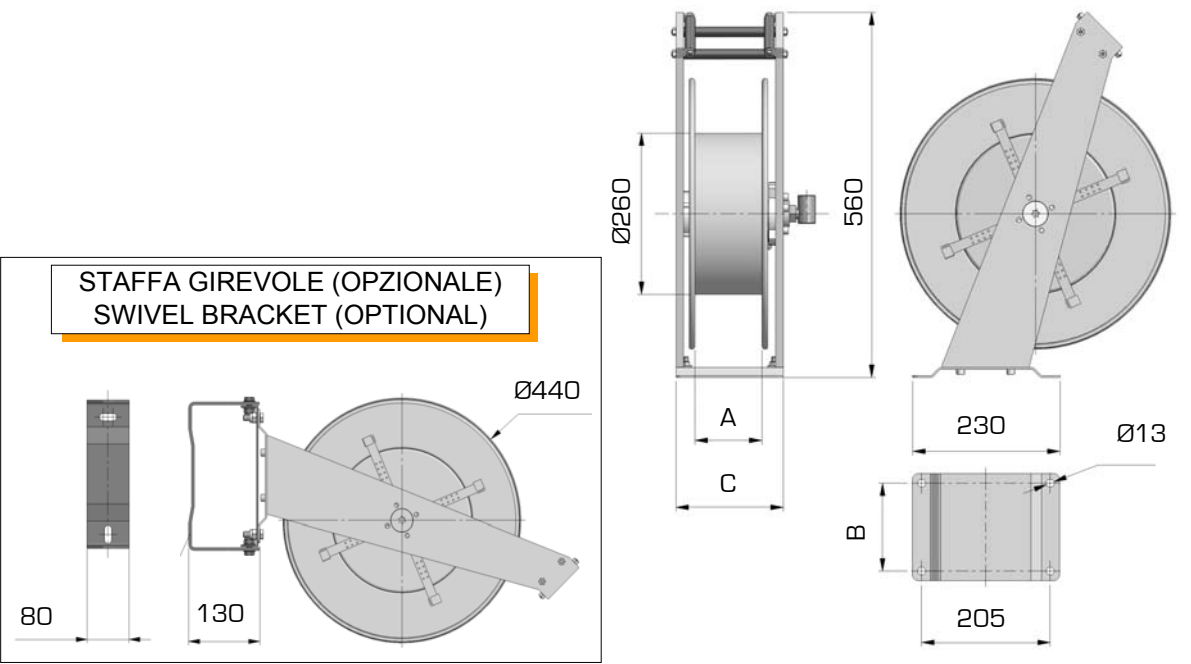


**AVVOLGITUBO PER ARIA, GRASSO, ACQUA, OLIO**  
**SERIE "9000"**  
**ENROULEUR POUR AIR, GRAISSE, EAU, HUILE - SÈRIE "9000"**

**SERIE "9000" HOSE REEL FOR AIR, GREASE, WATER, OIL**  
**SCHLAUCHROLLE FÜR LUFT, SCHMIERE, WASSER, ÖL - SERIE "9000"**

**9000**

141.1



**STAFFA GIREVOLE (OPZIONALE)**  
**SWIVEL BRACKET (OPTIONAL)**

	MODELLO MODEL	A	B	C	Tubo /Hose			Staffa girevole Swivel bracket
					tipo type	Ø	m	Tipo Type
<b>ARIA OLIO GASOLIO</b>	9001	120	142	180	1SN	1/4	15	9075
					2SN			
					I21			
<b>AIR OIL DIESEL-OIL</b>	9002	150	180	210	1SN	1/4	20	9076
					2SN			
					I21			
<b>ACCIAIO VERNICIATO</b>	9003	120	142	180	1SN	3/8	15	9075
					2SN			
					I21			
<b>PAINTED STEEL</b>	9004	150	180	210	1SN	3/8	20	9076
					2SN			
					I21			
<b>400 bar 40°C</b>	9005	120	142	180	1SN	1/2	10	9075
					2SN			
					I21			
<b>GRASSO GREASE</b>	9006	150	180	210	1SN	1/2	20	9076
					2SN			
					I21			
<b>400 bar</b>	9007	120	142	180	1SN	5/16	15	9075
					2SN			
					I21			
<b>ACQUA WATER</b>	9008	150	180	210	1SN	5/16	20	9076
					2SN			
					I21			
<b>ACQUA WATER ACCIAIO INOX STAINLESS STEEL</b>	9009	120	142	180	2SN	1/4	15	9075
	9010	150	180	210			20	9076
	9011	120	142	180	I21	3/8	15	9077
	9012	150	180	210			20	9078
	9013	120	142	180			10	9077
	9014	150	180	210			20	9078
9015	120	142	180	15			9077	
9016	150	180	210	20			9078	