



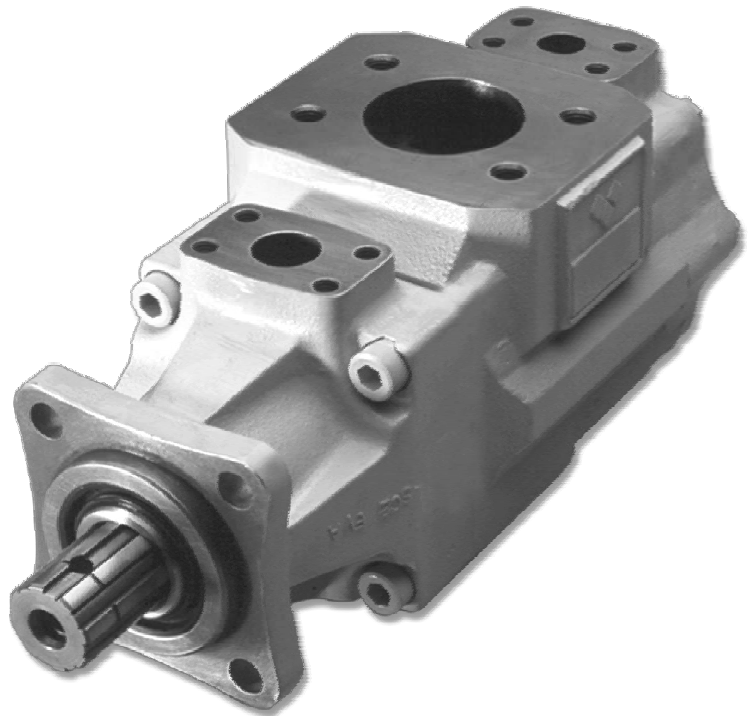
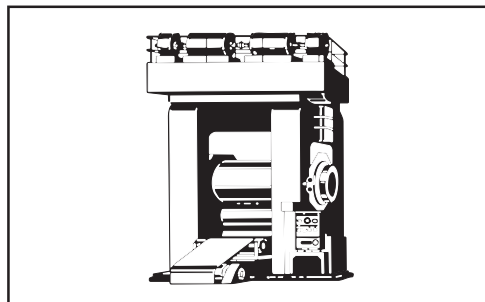
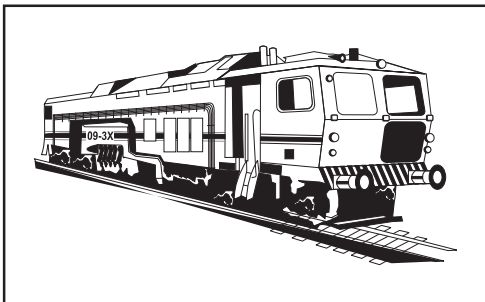
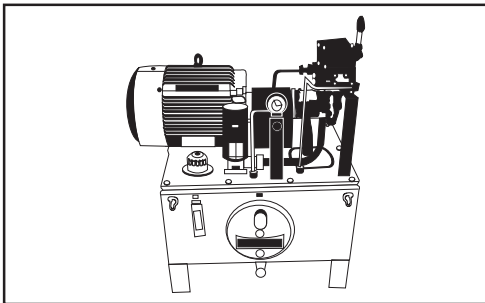
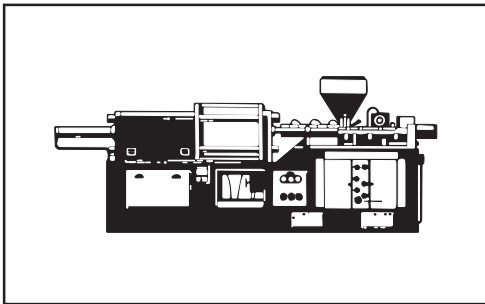
VELJAN

Service Information

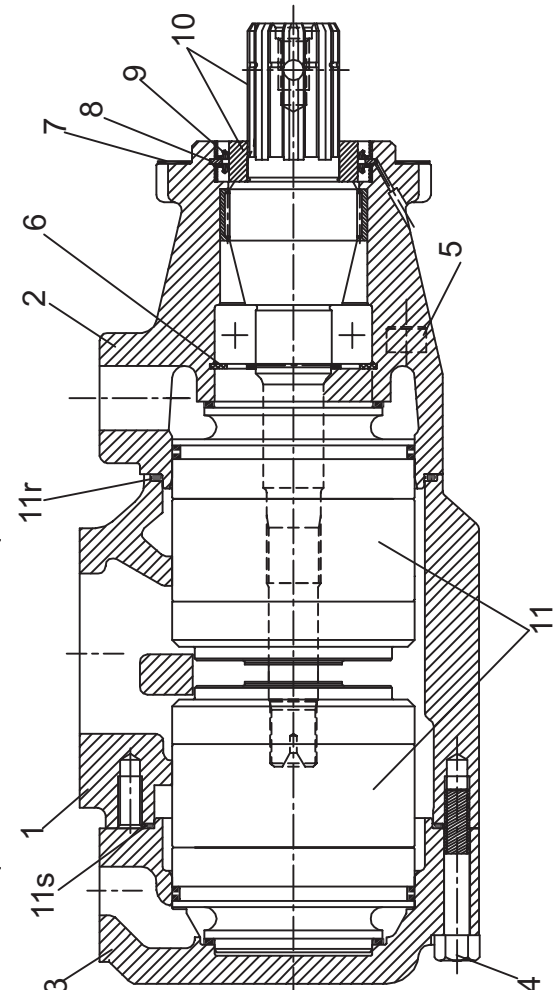
SS4 - 00122

VT6GCC

Double vane pump



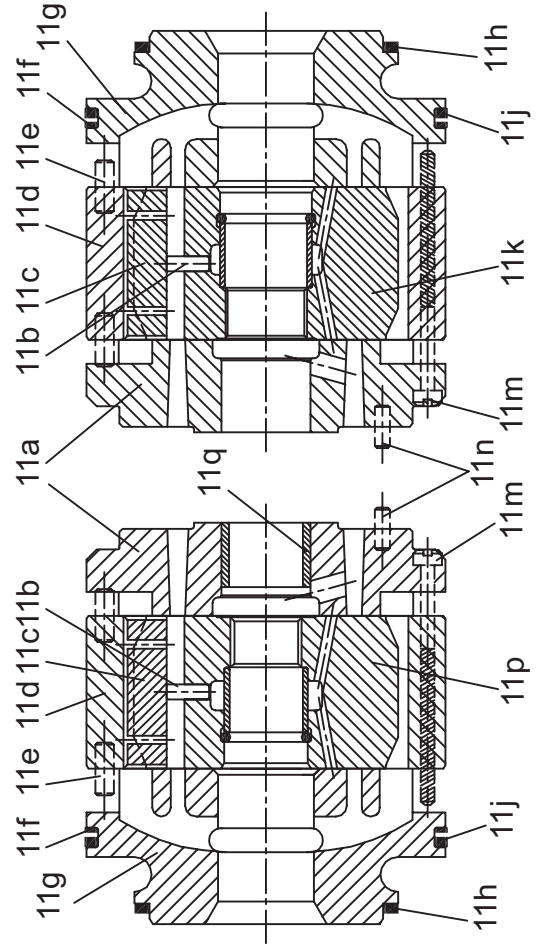
Bold printed are recommended repair kits and assemblies



Mounting torque

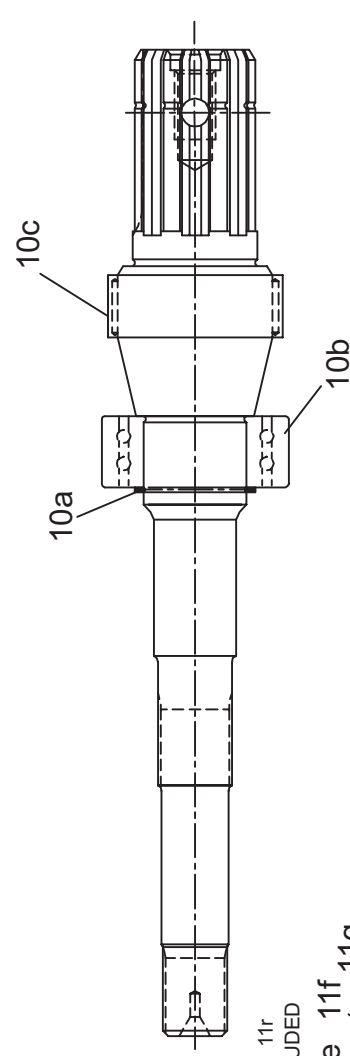
Item pos.	4	5
N-m	61	159
ft-lbs	45	117

P2
ITEM 11s
INCLUDED



P1
ITEM 11r
INCLUDED

Item pos.	Description	Part No.		Qty
1	Housing (UNC) (S = 2 1/2")	V034-59125	VT6GCC	1
	Housing (UNC) (S = 3")	V034-59105		
2	Mounting flange	H-034-66601		1
3	End cap (UNC) (P2 = 3/4")	V034-59425		1
	End cap (UNC) (P1 = 1")	V034-59423		
4	Mounting Screw	V306-40094		7
5	Mounting Screw	V358-20260		4
6	Retaining ring	V356-30244		1
7	Gasket seal	H-034-66133		1
8	Retaining ring	V356-30244		1

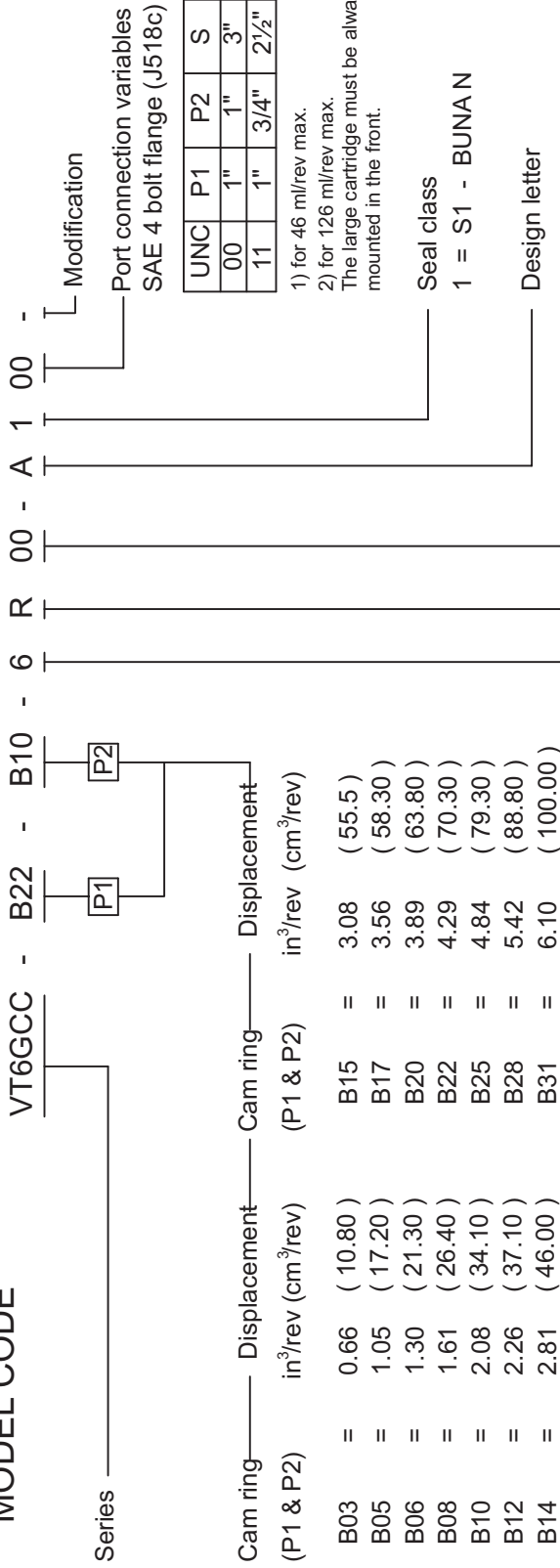


9	Shaft seal (S1-0.7 bar)	V620-00007.3		2
10	Shaft and bush ass'y (#1) (Splined code 6)	H-S24-26666		1
10a	Retaining ring	V356-31118		1
10b	Ball bearing	V230-90010.3		1
10c	Needle bearing	V230-90009.3		1
11	Cartridge assembly B03 CW (P1)	VS24-40150		1
	Cartridge assembly B03 CCW (P1)	VS24-40151		
	Cartridge assembly B05 CW (P1)	VS24-40152		
	Cartridge assembly B05 CCW (P1)	VS24-40153		
	Cartridge assembly B06 CW (P1)	VS24-40154		
	Cartridge assembly B06 CCW (P1)	VS24-40155		
	Cartridge assembly B08 CW (P1)	VS24-40156		
	Cartridge assembly B08 CCW (P1)	VS24-40157		
	Cartridge assembly B10 CW (P1)	VS24-40158		
	Cartridge assembly B10 CCW (P1)	VS24-40159		
	Cartridge assembly B12 CW (P1)	VS24-40160		

Item pos.	Description	Part No.		Qty
		VT6GCC		
	Cartridge assembly B12 CCW (P1)	VS24-40161		
	Cartridge assembly B14 CW (P1)	VS24-40162		
	Cartridge assembly B14 CCW (P1)	VS24-40163		
	Cartridge assembly B15 CW (P1)	C-S14-72141		
	Cartridge assembly B15 CCW (P1)	C-S14-72142		
	Cartridge assembly B17 CW (P1)	VS24-40164		
	Cartridge assembly B17 CCW (P1)	VS24-40165		
	Cartridge assembly B20 CW (P1)	VS24-40166		
	Cartridge assembly B20 CCW (P1)	VS24-40167		
	Cartridge assembly B22 CW (P1)	VS24-40168		
	Cartridge assembly B22 CCW (P1)	VS24-40169		
	Cartridge assembly B25 CW (P1)	VS24-40170		
	Cartridge assembly B25 CCW (P1)	VS24-40171		
	Cartridge assembly B28 CW (P1)	VS14-40172		
	Cartridge assembly B28 CCW (P1)	VS24-40173		
	Cartridge assembly B31 CW (P1)	VS24-45793		
	Cartridge assembly B31 CCW (P1)	VS24-45794		
	Cartridge assembly B03 CW (P2)	VS24-40200		1
	Cartridge assembly B03 CCW (P2)	VS24-40201		
	Cartridge assembly B05 CW (P2)	VS24-40202		
	Cartridge assembly B05 CCW (P2)	VS24-40203		
	Cartridge assembly B06 CW (P2)	VS24-40204		
	Cartridge assembly B06 CCW (P2)	VS24-40205		
	Cartridge assembly B08 CW (P2)	VS24-40206		
	Cartridge assembly B08 CCW (P2)	VS24-40207		
	Cartridge assembly B10 CW (P2)	VS24-40208		
	Cartridge assembly B10 CCW (P2)	VS24-40209		
	Cartridge assembly B12 CW (P2)	VS24-40210		
	Cartridge assembly B12 CCW (P2)	VS24-40211		
	Cartridge assembly B14 CW (P2)	VS24-40212		
	Cartridge assembly B14 CCW (P2)	VS24-40213		
	Cartridge assembly B15 CW (P2)	C-S14-72143		
	Cartridge assembly B15 CCW (P2)	C-S14-72143		
	Cartridge assembly B17 CW (P2)	VS24-40214		
	Cartridge assembly B17 CCW (P2)	VS24-40215		
	Cartridge assembly B20 CW (P2)	VS24-40216		
	Cartridge assembly B20 CCW (P2)	VS24-40217		
	Cartridge assembly B22 CW (P2)	VS24-40218		
	Cartridge assembly B22 CCW (P2)	VS24-40219		
	Cartridge assembly B25 CW (P2)	VS24-40220		
	Cartridge assembly B25 CCW (P2)	VS24-40221		

Item pos.	Description	Part No.		Qty
		VT6GCC		
	Cartridge assembly B28 CW (P2)	VS24-40222		
	Cartridge assembly B28 CCW (P2)	VS24-40223		
	Cartridge assembly B31 CW (P2)	VS24-45775		
	Cartridge assembly B31 CCW (P2)	VS24-45776		
11a	Rear port plate (Bi-dir)	H-034-59118		2
11b	Pin vane holdout	V034-24982		20
11c	Vane	V034-66716		20
11d	Cam ring - 003	V034-59050		2
	Cam ring - 005	V034-59051		
	Cam ring - 006	V034-59052		
	Cam ring - 008	V034-59053		
	Cam ring - 010	V034-59054		
	Cam ring - 012	V034-66595		
	Cam ring - 014	V034-59206		
	Cam ring - 015	C-034-66893		
	Cam ring - 017	V034-59207		
	Cam ring - 020	V034-66607		
	Cam ring - 022	V034-59208		
	Cam ring - 025	V034-59209		
	Cam ring - 028	V034-59245		
	Cam ring - 031	V034-66843		
11e	Dowel pin	V324-21208		4
11f	Back-up ring	V618-15016		2
11g	Pressure port plate (Bi-dir)	H-034-66453		2
11h	Sq. section seal	V691-10229		2
11j	Sq. section seal	V691-10238		2
11k	Rotor-insert ass'y	VS24-33974		1
11m	Screw	V317-06266		4
11n	Dowel pin	V323-82010		2
11p	Rotor-insert ass'y	VS24-30049		1
11q	Bearing bush	V034-59412		1
11r	O' ring	V671-00244		1
11s	Sq. section seal	V671-10156		1
11s,11g,11j,11h,11f	Seal kit (S1 - 0.7 bar)	VS24-26691		1
11a,11f	Rort plate - rear assy (P1)	VS24-10418		1
11a,11f	Rort plate - rear and bush assy (P2)	VS24-10349		1
11q	Mounting cap and shaft assy	VS24-26690		1
6,7,8,9,10,10a,10b,10c				

MODEL CODE



Cam ring (P1 & P2)	Displacement in ³ /rev (cm ³ /rev)	Cam ring (P1 & P2)	Displacement in ³ /rev (cm ³ /rev)
B03 =	0.66 (10.80)	B15 =	3.08 (55.5)
B05 =	1.05 (17.20)	B17 =	3.56 (58.30)
B06 =	1.30 (21.30)	B20 =	3.89 (63.80)
B08 =	1.61 (26.40)	B22 =	4.29 (70.30)
B10 =	2.08 (34.10)	B25 =	4.84 (79.30)
B12 =	2.26 (37.10)	B28 =	5.42 (88.80)
B14 =	2.81 (46.00)	B31 =	6.10 (100.00)

Type of Shaft _____

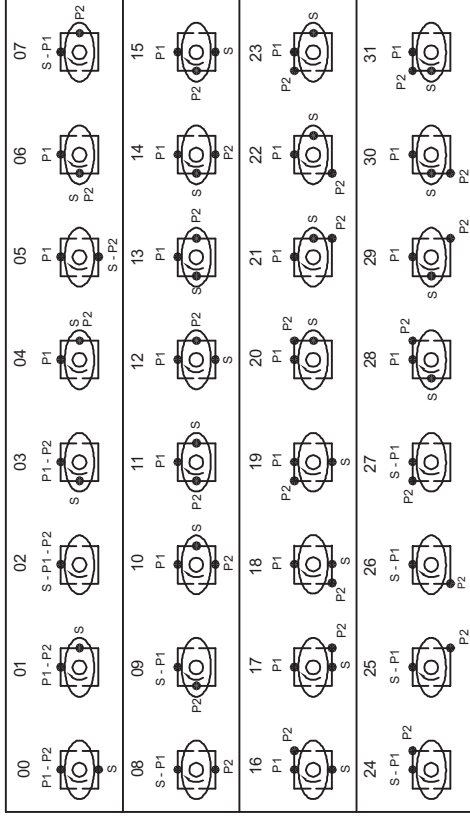
6 = Splined (DIN 5462)

Direction of rotation _____

R = Clockwise

L = Counter - clockwise

Porting combination : (00 = Standard)



Print	_____
Replace	_____
Revision	_____