



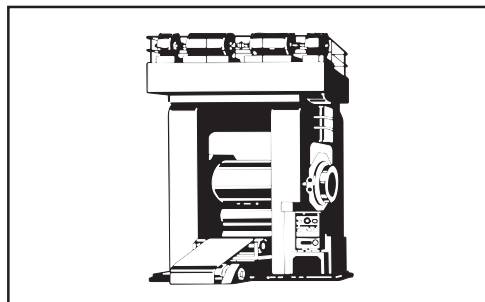
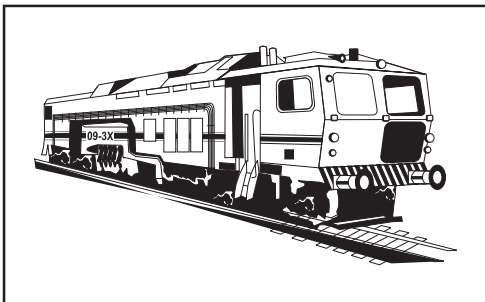
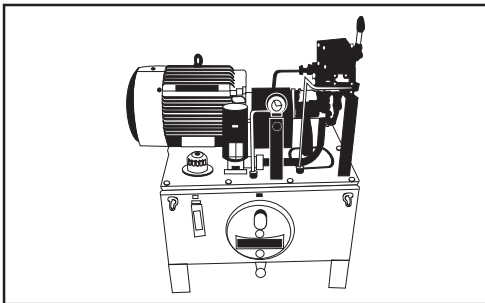
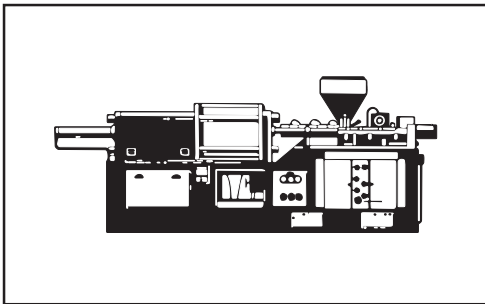
VELJAN

Service Information

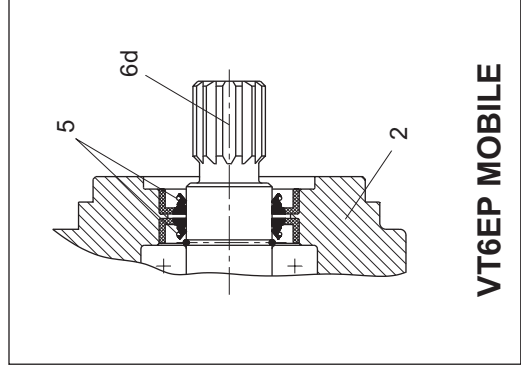
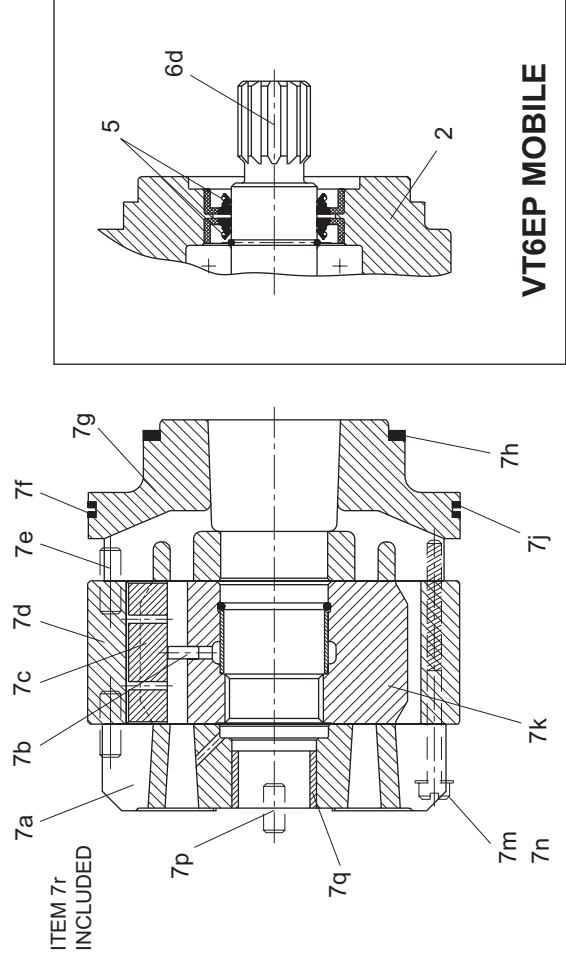
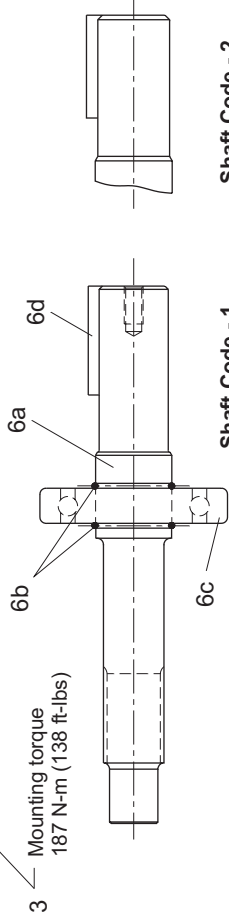
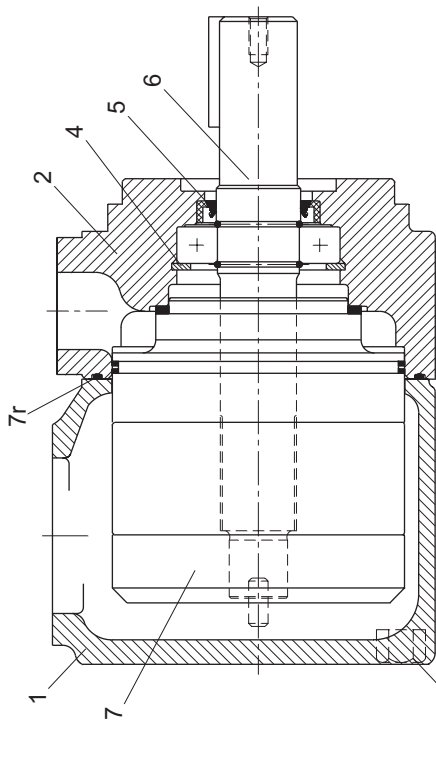
SS4 - 00103

VT6E - VT6EM - VT6EP

Single vane pump



Bold printed are recommended repair kits and assemblies



VT6EP MOBILE

Item pos.	Description	Part No.		Qty
		VT6E (Standard)	VT6EM-0** VT6EP-0**	
1	Housing (UNC)	V034-70247	V034-70247	1
	Housing (Metric)	C-034-03055	C-034-03055	
2	Mounting flange (UNC)	V034-70249	V034-70249	1
	Mounting flange (Metric)	C-034-03056	C-034-03056	
	Mounting flange (UNC) (VT6EP)	V034-66745		
	Mounting flange (Metric) (VT6EP)	C-034-03057		
3	Mounting Screw	V306-40159	V306-40159	4
4	Retaining ring	V356-30315	V356-30315	1
5	Shaft seal (S1-0.7 bar)	V620-82064	V620-82064	1
	Shaft seal (S1-0.7 bar) (VT6EP)	V620-82064	V620-82064	
	Shaft seal (S4-S5-7 bar)	V620-82072	V620-82072	
6	Shaft and bearing ass'y (#1)	VS14-28174	VS14-28174	1
Shaft and bearing ass'y (#2)	VS24-49212	VS24-49212		
Shaft and bearing ass'y (#3)	VS14-28173	VS14-28173		
Shaft and bearing ass'y (#3) (VT6EP)	VS24-40001	VS24-40001		
Shaft and bearing ass'y (#4)	VS24-00092	VS24-00092		
	Shaft and bearing ass'y (#T)	VS24-33622	VS24-33622	
6a	Shaft (Keyed) (Code-1)	V034-71076	V034-71076	1
	Shaft (Keyed) (Code-2)	V034-66890	V034-66890	
	Shaft (Splined) (Code-3)	V034-71077	V034-71077	
	Shaft (splined) (Code-3) (VT6EP)	V034-66723	V034-66723	
	Shaft (Splined) (Code-4)	V034-53515	V034-53515	
	Shaft (Splined) (Code-T)	V034-66703	V034-66703	

Item pos.	Description	Part No.		Qty
		VT6E (Standard)	VT6EM-0** VT6EP-0**	
6b	Round section ring	V034-70866	V034-70866	2
6c	Ball bearing	V230-03208	V230-03208	1
6d	Key (Code -1)	V034-70330	V034-70330	1
	Key (Code -2)	V034-49676	V034-49676	
7	Cartridge assembly *42 C.W.	V24-49388	V24-49392	1
	Cartridge assembly *42 C.C.W.	V24-49389	V24-49393	
	Cartridge assembly *45 C.W.	V24-10177	V24-40014	
	Cartridge assembly *45 C.C.W.	V24-10178	V24-40015	
	Cartridge assembly *50 C.W.	V24-40645	V24-40767	
	Cartridge assembly *50 C.C.W.	V24-40766	V24-40768	
	Cartridge assembly *52 C.W.	V24-10179	V24-40016	
	Cartridge assembly *52 C.C.W.	V24-10180	V24-40017	
	Cartridge assembly *62 C.W.	V24-10181	V24-40018	
	Cartridge assembly *62 C.C.W.	V24-10182	V24-40019	
	Cartridge assembly *66 C.W.	V24-10183	V24-40020	
	Cartridge assembly *66 C.C.W.	V24-10184	V24-40021	
	Cartridge assembly *72 C.W.	V24-40026	V24-40022	
	Cartridge assembly *72 C.C.W.	V24-40027	V24-40023	
	Cartridge assembly *85 C.W.	V24-58988	C-S14-71569	
	Cartridge assembly *85 C.C.W.	V24-58989	C-S14-71571	
7a	Port plate - rear C.W.	V034-59082	V034-59082	1
	Port plate - rear C.C.W.	V034-59083	V034-59083	
7b	Pin vane holdout	V034-59161	V034-70259	12
7c	Vane	V034-59162	V034-59162	12
7d	Cam ring - 042	V034-66899	V034-66899	1
	Cam ring - 045	V034-59164	V034-59164	
	Cam ring - 050	V034-66744	V034-66744	
	Cam ring - 052	V034-59165	V034-59165	
	Cam ring - 062	V034-59166	V034-59166	
	Cam ring - 066	V034-59167	V034-59167	
	Cam ring - 072	V034-66736	V034-66736	
	Cam ring - 085	V034-67030	V034-67030	
7e	Dowel pin	V324-22016	V324-22016	2
7f	Back-up ring	V618-15018	V618-15018	1
7g	Port plate - pressure C.W.	V034-59159	V034-59159	1
	Port plate - pressure C.C.W.	V034-59160	V034-59160	
	* 0 - Standard and Mobile R - Mobile-Spring assisted (on request)			

Item pos.	Description	Part No.		Qty
		VT6E (Standard)	VT6EM-0** VT6EP-0**	
7h	Sq. section seal	V691-10237	V691-10237	1
7j	Sq. section seal	V691-10253	V691-10253	1
7k	Rotor-insert assy	VS24-10185	VS24-30019	1
7m	Screw	V310-10340	V310-10340	2
7n	Lockwasher internal tooth	V348-10010	V348-10010	2
7p	Dowel pin	V323-82014	V323-82014	1
7q	Bush	V034-59901	V034-59901	1
7r	Sq. section seal	V671-10259	V671-10259	1
5	Seal kit (S1 - 0,7 bar)	VS24-10186	VS24-10186	1
7i,7h	Seal kit (S1 - 0,7 bar) (VT6EP)		VS24-33397	
7j,7r	Seal kit (S4 - 7 bar)	VS24-10186-4	VS24-10186-4	
	Seal kit (S5 - 7 bar)	VS24-10186-5	VS24-10186-5	
7a	Port plate - rear and bush assy C.W.	VS24-10175	VS24-10175	1
7q	Port plate - rear and bush assy C.C.W.	VS24-10176	VS24-10176	

MODEL CODE

VT6E ** - * 66 -1 R 00 - A 1 *

Series _____
 * **M** = Mobile _____
 * **P** = Mobile with double shaft seal _____
 (* omit for Industrial)

Y = Metric port connection, omit for UNC _____

Cam ring	Displacement (cm ³ /rev)	Cam ring	Displacement (in ³ /rev)	Displacement (cm ³ /rev)
042/R42	= 8.07	062/R62	= 12.00	(196.70)
045/R45	= 8.70	066/R66	= 13.00	(213.30)
050/R50	= 9.67	072/R72	= 13.86	(227.10)
052/R52	= 10.00	085/R85	= 16.40	(269.80)

Select '0' ** for Standard and Mobile
 Select 'R' ** for Mobile-spring assisted

Type of Shaft _____ Type of Shaft _____ Type of Shaft _____

- VT6E**
- 1** = Keyed (SAE -CC)
 - 2** = Keyed (no SAE)
 - 3** = Splined (SAE -C)
 - 4** = Splined (SAE -CC)

- VT6EM**
- 1** = Keyed (SAE-CC)
 - 2** = Keyed (no SAE)
 - 3** = Splined (SAE -C)
 - 4** = Splined (SAE -CC)
 - T** = Splined (SAE J718c)

- VT6EP**
- 3** = Splined (no SAE)

Modification

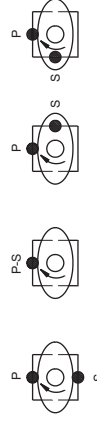
Seal class

- 1** = S1 - BUNAN
- 4** = S4 - EPDM
- 5** = S5 - VITON

Design letter

- A** = Industrial
- B** = Mobile

Porting combination : (00 = Standard)



- 00** **01** **02** **03**

P - Pressure S - Suction

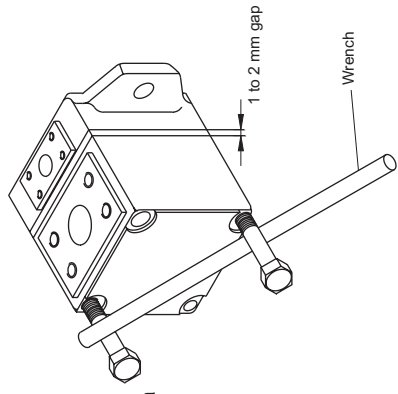
Direction of rotation

- R** = Clockwise
- L** = Counter - clockwise

To change porting position, follow the steps below :

Secure pump and remove 4 bolts from housing . Move the housing 1 to 2 mm away from mounting flange. Insert two bolts halfway into the housing. Install a wrench between the two bolts and turn in the desired way, so that the required position of pressure port with respect to suction is obtained. Reinstall the bolts and tighten to corresponding mounting torque as provided on page 2.

Instruction : Do not remove housing completely from the mounting flange but only just 1 to 2 mm to avoid the cartridge pin to move out from the housing dowel pin hole. Make sure no piece of paint enters in to the gap to avoid leakage. If it is difficult to turn housing put some hydraulic oil into the pressure port to lubricate the pressure port seals.



Veijian Hydrair Private Limited, Balanagar, Hyderabad - 500 037, INDIA . Phone : +91-40-3772794,95 Fax : +91-40-3773963, www.veijan.com

Print	VHP/3/12/1k
Replace	_____
Revision	_____
Printed in India	_____

©All Rights Reserved
 Product details are liable to change without prior notice